



PROFESSIONAL
THINKING

PRODUCT SHEET EKF 1111 TC

TECNOEKA SRL - VIA MARCO POLO, 11 - 35010 BORGORICCO - PADOVA - ITALY - TEL. +39 049 5791479 +39 049 9300344 - FAX +39 049 5794387 - E-MAIL: INFO@TECNOEKA.COM - WWW.TECNOEKA.COM - WWW.TECNOEKA.RU

EKF 1111 TC - COMBI OVEN WITH TOUCH CONTROL

11 TRAYS/GRIDS 1/1 GN

EKA TOUCH LINE

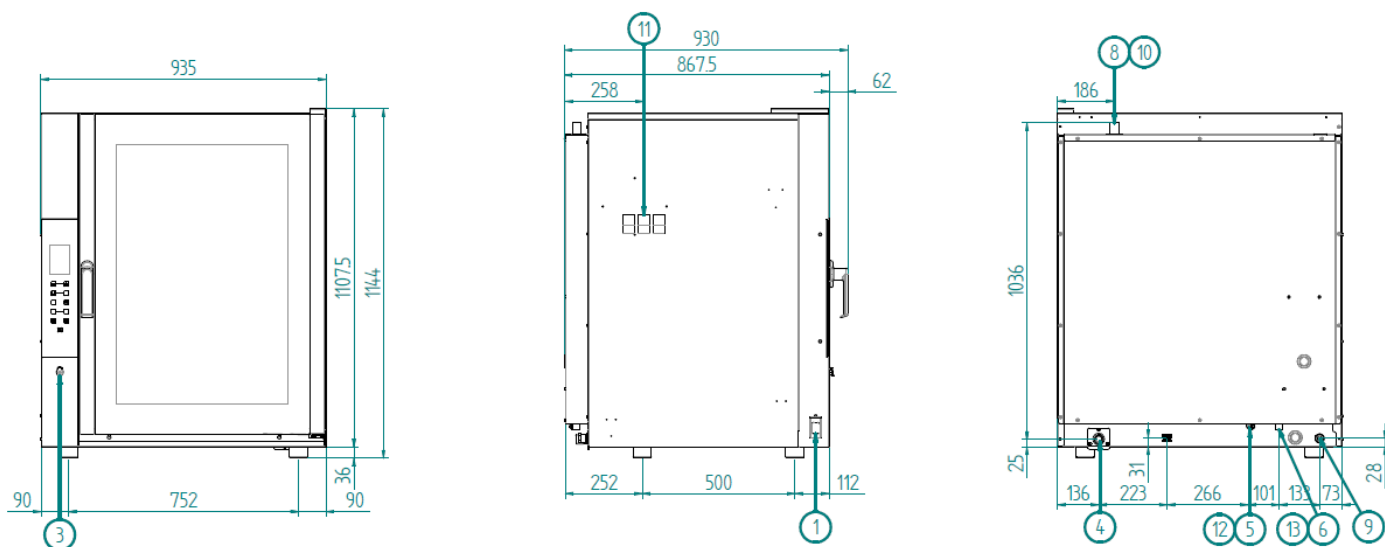
COOKING



11 x 1/1 GN pans: the most popular container size among chefs in large and medium-sized restaurants.

All it takes is the touch of a finger on the practical and eye-catching touch screen panel to manage even the most complex recipes with the utmost ease, storing them with 9 cooking steps and three fan speed settings.

A must-have for preparing traditional Italian dishes (lasagna, cannelloni, aubergine parmigiana), as well as refined delicacies inspired by world cuisine, such as duck à l'orange, stuffed turkey, moussaka or rice timbale.



LEGEND

1	USB PORT	11	DON'T CLOG UP VENTILATION OPENINGS
2	SERIAL PORT	12	WATER INLET MAX. 200 kPa
3	PLUG FOR CORE PROBE	13	SOFTENED WATER INLET MAX 200 kPa
4	WATER OUTLET TUBE	14	BOILER CLEANING INLET
5	WASHING WATER INLET	15	DON'T OPEN CAP WHILE WORKING
6	SOFTENED WATER INLET	16	GAS INLET THREADED JOINT 3/4"
7	WATER INLET	17	POWER SUPPLY TO TOP OVEN
8	STEAM OUTLET	18	PRE-CARVED HOLE FOR BOTTOM OVEN POWER SUPPLY
9	ELECTRIC CABLE FIXER	19	STEAM SUCTION PIPE
10	CAUTION! HOT SURFACE		





**PROFESSIONAL
THINKING**

PRODUCT SHEET EKF 1111 TC

TECNOEKA SRL - VIA MARCO POLO, 11 - 35010 BORGORICCO - PADOVA - ITALY - TEL. +39 049 5791479 +39 049 9300344 - FAX +39 049 5794387 - E-MAIL: INFO@TECNOEKA.COM - WWW.TECNOEKA.COM - WWW.TECNOEKA.RU

DIMENSIONAL FEATURES				FUNCTIONAL FEATURES	
DIMENSIONS	W	D	H	POWER	ELECTRICITY
OVEN DIMENSIONS (mm)	935	930	1150	CAPACITY	N° 11 TRAYS/GRIDS 1/1 GN
CARDBOARD BOX DIMENSIONS WITH PALLET (mm)	1000	990	1310	TYPE OF COOKING	VENTILATED
OVEN DIMENSIONS (inches)	36,81	36,61	45,27	STEAM (see legend)	DIRECT STEAM CONTROLLED BY TOUCH SCREEN (10 LEVELS)
CARDBOARD BOX DIMENSIONS WITH PALLET (inches)	39,37	38,97	51,57	COOKING CHAMBER	AISI 304 STAINLESS STEEL
OVEN WEIGHT (kg)	136,4			WATER OUTLET	Ø 30mm TUBE
PACKED OVEN WEIGHT (kg)	154,4			STEAM OUTLET	DIRECT
OVEN WEIGHT (lbs)	300,71			TEMPERATURE	30 + 260°C
PACKED OVEN WEIGHT (lbs)	340,39			TEMPERATURE CONTROL	DIGITAL PROBE THERMOMETER
DISTANCE BETWEEN RACK RAILS (mm)	68			CONTROL PANEL	TOUCH CONTROL – LEFT SIDE
FAN DIMENSION (mm)	Ø 198 - NR. 45 BLADES			N° OF PROGRAMS	240
CENTER-TO-CENTER DISTANCE BETWEEN FEET (mm)	752			PROGRAMMABLE COOKING STEPS	9
				PRE-HEATING TEMPERATURE	180°C
ELECTRICAL FEATURES				PRE-HEATING FUNCTION	PROGRAMMABLE
POWER SUPPLY (kW)	16			DOOR	RIGHT SIDE OPENING
FREQUENCY (Hz)	50/60				VENTILATED
VOLTAGE (Volt)	AC 380/400 3N				INSPECTIONABLE GLASS
N° OF MOTORS	3 BIDIRECTIONAL			MODULARITY	/
RPM	2800			FEET	NOT ADJUSTABLE
				EQUIPMENT	
N° OF RESISTORS	CIRC.	3 pcs	5 kw	LATERAL SUPPORTS	1RIGHT + 1LEFT
	TOP+GRILL	/	/	CABLE	THREE-PHASE [5G 2,5] - L=1300 mm
	SOLE	/	/	MANUAL + AUTOMATIC WASHING SET UP	
BOILER	/			USB PORT	
LIMIT CONTROL	UNIPOLAR WITH MANUAL RESET			REMOVABLE DRIP BOX	
PROTECTION AGAINST WATER	IPX 5			PLUG FOR CORE PROBE	
LIGHTING	NR.1 LED BAR (IN THE DOOR)			OPTIONAL	
PLUS				CHROMED GRID 1/1 GN	COD. KG9G
USB PORT TO UPLOAD AND DOWNLOAD RECIPES AND HACCP DATA	SCREEN-PRINTED GLASS CONTROL PANEL			AISI 304 VERTICAL CHICKEN COOKING PAN	COD. KGP
240 STORABLE RECIPES (40 EKA RECIPES, 200 USER-SETTABLE RECIPES)	ADJUSTABLE DOOR HINGES			AISI 304 TRAY 1/1 GN (530x325x40 mm)	COD. KT9G
DELAYED START FUNCTION UP TO 23 HOURS AND 59 MINUTES	QUICK FASTENING OF LATERAL SUPPORTS			TABLE	COD. EKT1111 – COD. EKTR 1111 – COD. EKTS 1111 – COD. EKTRS 1111
10 LANGUAGES FOR THE CONTROL PANEL (ITALIAN-FRENCH-ENG-DE-ES-ROMANIAN-POLISH-BULGARIAN-UKRAINIAN-RUSSIAN)	STAINLESS STEEL COOKING CHAMBER			CONDENSATION HOOD	COD. EKKC10
CHAMBER DRAIN FOR LIQUIDS	EMBEDDED GASKET			AIR REDUCER	COD. EKRPA
DIRECT CHIMNEY FOR COOKING FUMES/STEAM	FORCED COOLING SYSTEM OF INNER PARTS			CORE PROBE	COD. EKSC
DOUBLE CONNECTION WATER ENTRY (NORMAL AND SOFTENED)	IPX 5			CORE PROBE WITH SUPPORT	COD. EKSCS
"ALL GLASS" DOOR WITH "SATIN-FINISH" (AISI 304) STAINLESS STEEL SIDE PROFILES	MANUAL+AUTOMATIC WASHING SET UP			SELF-CLEANING AUTOMATIC SYSTEM	COD. KWT
QUICK COOLING OF COOKING CHAMBER	CB CERTIFICATION			SPRAY KIT WITH SUPPORT	COD. EKKD
				SPARKLING AID	COD. KBRIL AND COD. KBRILMD
				CLEANING FLUID	COD. KDET

LEGEND

STEAM



A pipe sprays the water directly on moving fans.
It's ideal for roast meat, fish and steamed vegetables.