



PROFESSIONAL
THINKING

PRODUCT SHEET EKF 364 D UD

TECNOEKA SRL - VIA MARCO POLO, 11 - 35010 BORGORICCO - PADOVA - ITALY - TEL. +39 049 5791479 +39 049 9300344 - FAX +39 049 5794387 - E-MAIL: INFO@TECNOEKA.COM - WWW.TECNOEKA.COM - WWW.TECNOEKA.RU

EKF 364 D UD – DIGITAL ELECTRIC CONVECTION OVEN WITH STEAM 3 TRAYS/GRIDS (600x400 mm)

EKA EVOLUTION LINE

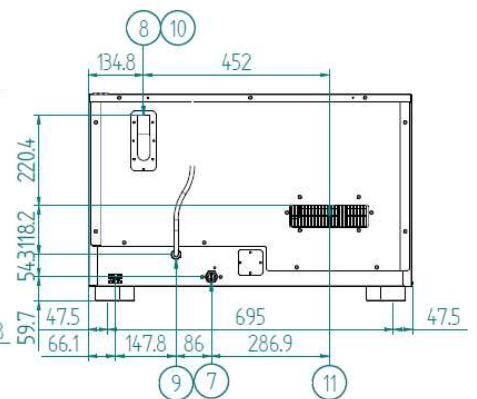
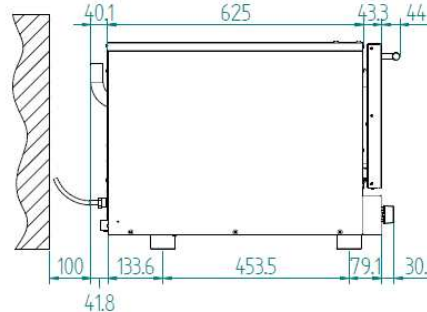
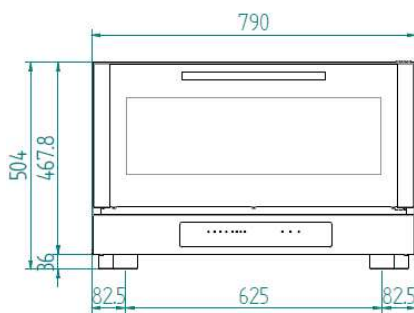
BAKING



Designed for small food outlets who want to heat frozen bread or bake sweet snacks and Danish pastries using a product that packs innovative features into a compact design.

The digital display with storage for 99 programs and 4 cooking options gives you the utmost freedom when it comes to managing your preparations.

The programmable delayed start feature means you can decide beforehand what time you want to bake your dishes, further customizing the cooking process with the direct steam option.



LEGEND

1	USB PORT	11	DON'T CLOG UP VENTILATION OPENINGS
2	SERIAL PORT	12	WATER INLET MAX. 200 kPa
3	PLUG FOR CORE PROBE	13	SOFTENED WATER INLET MAX 200 kPa
4	WATER OUTLET TUBE	14	BOILER CLEANING INLET
5	WASHING WATER INLET	15	DON'T OPEN CAP WHILE WORKING
6	SOFTENED WATER INLET	16	GAS INLET THREADED JOINT 3/4"
7	WATER INLET	17	POWER SUPPLY TO TOP OVEN
8	STEAM OUTLET	18	PRE-CARVED HOLE FOR BOTTOM OVEN POWER SUPPLY
9	ELECTRIC CABLE FIXER	19	STEAM SUCTION PIPE
10	CAUTION! HOT SURFACE		



DIMENSIONAL FEATURES				FUNCTIONAL FEATURES	
DIMENSIONS	W	D	H	POWER	ELECTRICITY
OVEN DIMENSIONS (mm)	790	750	505	CAPACITY	N° 3 TRAYS/GRIDS (600x400 mm)
CARDBOARD BOX DIMENSIONS WITH PALLET (mm)	805	830	670	TYPE OF COOKING	VENTILATED
OVEN DIMENSIONS (inches)	31,10	29,52	19,88	STEAM (see legend)	DIRECT STEAM CONTROLLED BY DIGITAL PANEL (10 LEVELS)
CARDBOARD BOX DIMENSIONS WITH PALLET (inches)	31,69	32,67	26,37	COOKING CHAMBER	AISI 304 STAINLESS STEEL
OVEN WEIGHT (kg)	44			WATER OUTLET	/
PACKED OVEN WEIGHT (kg)	54,4			STEAM OUTLET	DIRECT
OVEN WEIGHT (lbs)	97,00			TEMPERATURE	50 ÷ 270°C
PACKED OVEN WEIGHT (lbs)	119,93			TEMPERATURE CONTROL	DIGITAL PROBE THERMOMETER
DISTANCE BETWEEN RACK RAILS (mm)	73			CONTROL PANEL	DIGITAL – LOWER SIDE
FAN DIMENSION (mm)	Ø 200 - NR. 38 BLADES			N° OF PROGRAMS	99
CENTER-TO-CENTER DISTANCE BETWEEN RUBBER FEET (mm)	625 (FRONT) – 695 (BACK)			PROGRAMMABLE COOKING STEPS	4
				PRE-HEATING TEMPERATURE	180°C
ELECTRICAL FEATURES				PRE-HEATING FUNCTION	AVAILABLE ONLY IN "PROGRAM MODE"
POWER SUPPLY (kW)	3,7			DOOR	TILT DOOR
FREQUENCY (Hz)	50/60				VENTILATED
VOLTAGE (Volt)	AC 220/230			MODULARITY	YES
N° OF MOTORS	1 BIDIRECTIONAL			RUBBER FEET	NOT ADJUSTABLE
RPM	2800			EQUIPMENT	
N° OF RESISTORS	CIRC.	1 pcs	3,5 kW	LATERAL SUPPORTS	1RIGHT + 1LEFT
	TOP+GRILL	/	/	CABLE	SINGLE-PHASE [3G 1,5] - L=1350 mm
	SOLE	/	/		
BOILER	/			OPTIONAL	
LIMIT CONTROL	UNIPOLAR WITH MANUAL RESET			ALUMINIUM TRAY (600x400x20 mm)	COD. KT9P/A
PROTECTION AGAINST WATER	IPX3			PERFORATED ALUMINIUM TRAY (600x400x20 mm)	COD. KTF8P/A
LIGHTING	NR. 1 HALOGEN LIGHT BULB (IN THE COOKING CHAMBER)			5 LANES PERFORATED ALUMINIUM TRAY (600x400x20 mm)	COD. KTF9P
PLUS				CHROMED GRID (600x400 mm)	COD. KG9P
STAINLESS STEEL COOKING CHAMBER				5 LANES AISI 304 CHROMED GRID (600x400 mm)	COD. KG5CPX
DOOR WITH INSPECTIONABLE GLASS				TABLE	COD. EKT 411 – COD. EKTR 411 COD. EKS 411 – COD. EKTRS 411 – COD. EKT 411 D
EMBEDDED GASKET				PROOFER	COD. EKL 864 – COD. EKL 864 R
STACKABLE				AIR REDUCER	COD. EKRPA
FORCED COOLING SYSTEM OF INNER PARTS				WATER TANK LT. 7	COD. EKSA
IPX 3				PUMP KIT WITH HOSE AND FILTER	COD. KKPU
NEW DESIGN OF COOKING CHAMBER					
CB CERTIFICATION					
NEW DESIGN OF THE HANDLE					

LEGEND
STEAM


A pipe sprays the water directly on moving fans.
It's ideal for roast meat, fish and steamed vegetables.