



PROFESSIONAL  
THINKING

# PRODUCT SHEET EKF 423 AL P

TECNOEKA SRL - VIA MARCO POLO, 11 - 35010 BORGORICCO - PADOVA - ITALY - TEL. +39 049 5791479 +39 049 9300344 - FAX +39 049 5794387 - E-MAIL: INFO@TECNOEKA.COM - WWW.TECNOEKA.COM - WWW.TECNOEKA.RU

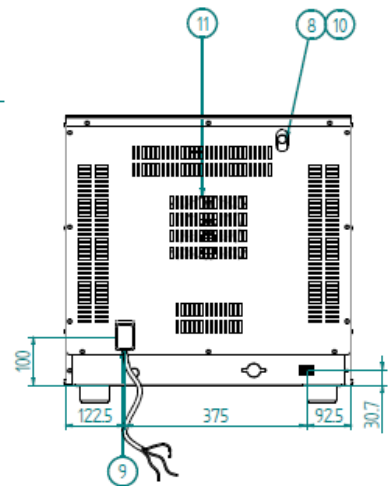
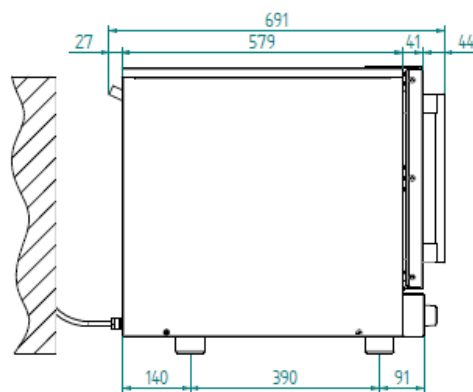
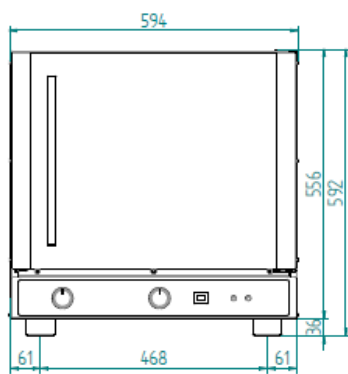
## EKF 423 AL P - ELECTRIC CONVECTION OVEN 4 TRAYS (429x345 mm)

EKA EASY LINE

BAKING



With a practical side-opening door, it is designed for small eateries that want to cook snack cakes and brioches using a functional product for every need.



LEGEND

1	USB PORT	11	DON'T CLOG UP VENTILATION OPENINGS
2	SERIAL PORT	12	WATER INLET MAX. 200 kPa
3	PLUG FOR CORE PROBE	13	SOFTENED WATER INLET MAX 200 kPa
4	WATER OUTLET TUBE	14	BOILER CLEANING INLET
5	WASHING WATER INLET	15	DON'T OPEN CAP WHILE WORKING
6	SOFTENED WATER INLET	16	GAS INLET THREADED JOINT 3/4"
7	WATER INLET	17	POWER SUPPLY TO TOP OVEN
8	STEAM OUTLET	18	PRE-CARVED HOLE FOR BOTTOM OVEN POWER SUPPLY
9	ELECTRIC CABLE FIXER	19	STEAM SUCTION PIPE
10	CAUTION! HOT SURFACE		





**PROFESSIONAL  
THINKING**

# PRODUCT SHEET EKF 423 AL P

TECNOEKA SRL - VIA MARCO POLO, 11 - 35010 BORGORICCO - PADOVA - ITALY - TEL. +39 049 5791479 +39 049 9300344 - FAX +39 049 5794387 - E-MAIL: INFO@TECNOEKA.COM - WWW.TECNOEKA.COM - WWW.TECNOEKA.RU

DIMENSIONAL FEATURES				FUNCTIONAL FEATURES	
<b>DIMENSIONS</b>	<b>W</b>	<b>D</b>	<b>H</b>	POWER	ELECTRICITY
OVEN DIMENSIONS (mm)	594	691	592	CAPACITY	N° 4 TRAYS/GRIDS (429x345 mm)
CARDBOARD BOX DIMENSIONS WITH PALLET (WxDxH mm)	680	760	600	TYPE OF COOKING	VENTILATED
OVEN DIMENSIONS (inches)	23,22	27,36	23,22	HUMIDIFICATION	/
CARDBOARD BOX DIMENSIONS WITH PALLET (inches)	26,77	29,92	23,62	COOKING CHAMBER	AISI 430 STAINLESS STEEL
OVEN WEIGHT (kg)	30,8			WATER OUTLET	/
PACKED OVEN WEIGHT (kg)	35,8			STEAM OUTLET	DIRECT
OVEN WEIGHT (lbs)	67,90			TEMPERATURE	50 ÷ 300°C
PACKED OVEN WEIGHT (lbs)	78,92			TEMPERATURE CONTROL	THERMOSTAT
DISTANCE BETWEEN RACK RAILS (mm)	74			CONTROL PANEL	ELECTROMECHANIC – LOWER SIDE
FAN DIMENSION (mm)	Ø 150 - NR. 6 BLADES			N° OF PROGRAMS	/
CENTER-TO-CENTER DISTANCE BETWEEN FEET (mm)	468			PROGRAMMABLE COOKING STEPS	/
				PRE-HEATING TEMPERATURE	/
				PRE-HEATING FUNCTION	/
<b>ELECTRONIC FEATURES</b>					
POWER SUPPLY (kW)	2,8			DOOR	RIGHT SIDE OPENING
FREQUENCY (Hz)	50/60				VENTILATED
VOLTAGE (Volt)	AC 220/230				INSPECTIONABLE GLASS
N° OF MOTORS	1 UNIDIRECTIONAL			MODULARITY	/
RPM	2250			FEET	NOT ADJUSTABLE
				<b>EQUIPMENT</b>	
N° OF RESISTORS	CIRC.	1 pcs	2,7 kW	LATERAL SUPPORTS	1RIGHT + 1LEFT
	TOP+GRILL	/	/	ALUMINUM TRAYS (429x345 mm)	4 pcs
	SOLE	/	/	CABLE	SINGLE-PHASE [3G 1,5] - L=1500 mm
BOILER	/				
LIMIT CONTROL	BIPOLAR WITH MANUAL RESET			<b>OPTIONAL</b>	
PROTECTION AGAINST WATER	/			AISI 430 ADAPTER KIT 2/3 GN (354x325 mm)	COD. KPG23
LIGHTING	NR.1 INCANDESCENT LIGHT BULB (IN THE COOKING CHAMBER)			HORIZONTAL CHROMED GRID (435x340 mm)	COD.KG7
	<b>PLUS</b>			AISI 304 HORIZONTAL CHROMED GRID (435x340 mm)	COD. KG7X
STAINLESS STEEL COOKING CHAMBER				TABLE	COD. EKT 423 – COD. EKTR 423 – COD. EKTS 423 – COD. EKTRS 423
DOOR WITH INSPECTIONABLE GLASS				PROOFER	COD. EKL 823
EMBEDDED GASKET				OPTIONAL PACKAGING	COD. 01300731 CAGE COD. 01300280 PALLET (800x1200x118 mm)
				ALUMINUM TRAYS (429x345 mm)	KV7

