



PROFESSIONAL
THINKING

PRODUCT SHEET EKF 423 UD

TECNOEKA SRL - VIA MARCO POLO, 11 - 35010 BORGORICCO - PADOVA - ITALY - TEL. +39 049 5791479 +39 049 9300344 - FAX +39 049 5794387 - E-MAIL: INFO@TECNOEKA.COM - WWW.TECNOEKA.COM - WWW.TECNOEKA.RU

EKF 423 UD - ELECTRIC CONVECTION OVEN WITH STEAM 4 TRAYS (429x345 mm)

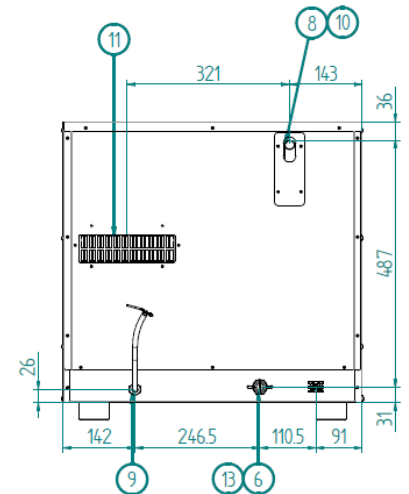
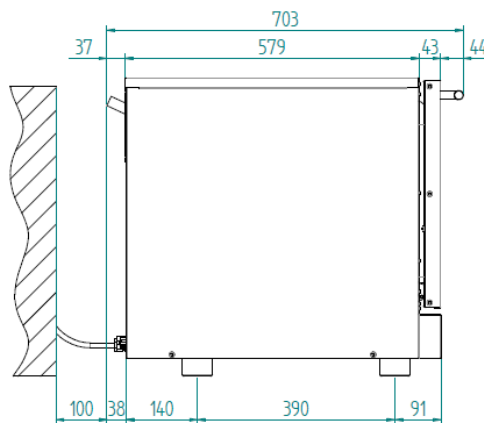
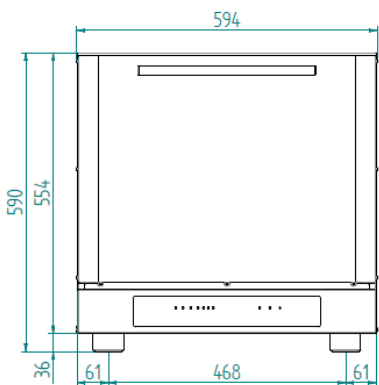
EKA EVOLUTION LINE

COOKING



Designed for bars and small restaurants wanting a compact, practical and efficient appliance.

The direct steam option means it caters to a whole host of cooking requirements: it is the ideal solution for cooking quick and simple deli preparations and rethermalizing ready meals, which regain all their fragrance and appetizing appearance in no time.



LEGEND

1	USB PORT	11	DON'T CLOG UP VENTILATION OPENINGS
2	SERIAL PORT	12	WATER INLET MAX. 200 kPa
3	PLUG FOR CORE PROBE	13	SOFTENED WATER INLET MAX 200 kPa
4	WATER OUTLET TUBE	14	BOILER CLEANING INLET
5	WASHING WATER INLET	15	DON'T OPEN CAP WHILE WORKING
6	SOFTENED WATER INLET	16	GAS INLET THREADED JOINT 3/4"
7	WATER INLET	17	POWER SUPPLY TO TOP OVEN
8	STEAM OUTLET	18	PRE-CARVED HOLE FOR BOTTOM OVEN POWER SUPPLY
9	ELECTRIC CABLE FIXER	19	STEAM SUCTION PIPE
10	CAUTION! HOT SURFACE		



DIMENSIONAL FEATURES				FUNCTIONAL FEATURES	
DIMENSIONS	W	D	H	POWER	ELECTRICITY
OVEN DIMENSIONS (mm)	590	695	590	CAPACITY	N° 4 TRAYS (429x345 mm)
CARDBOARD BOX DIMENSIONS WITH PALLET (WxDxH mm)	680	760	600	TYPE OF COOKING	VENTILATED
OVEN DIMENSIONS (inches)	23,22	27,36	23,22	STEAM (see legend)	DIRECT STEAM WITH BUTTOM
CARDBOARD BOX DIMENSIONS WITH PALLET (inches)	26,77	29,92	23,62	COOKING CHAMBER	AISI 304 STAINLESS STEEL
OVEN WEIGHT (kg)	38			WATER OUTLET	/
PACKED OVEN WEIGHT (kg)	43			STEAM OUTLET	DIRECT
OVEN WEIGHT (lbs)	83,77			TEMPERATURE	50 + 300°C
PACKED OVEN WEIGHT (lbs)	94,79			TEMPERATURE CONTROL	THERMOSTAT
DISTANCE BETWEEN RACK RAILS (mm)	74			CONTROL PANEL	ELECTROMECHANIC - LOWER SIDE
FAN DIMENSION (mm)	Ø 160 - NR. 30 BLADES			N° OF PROGRAMS	/
CENTER-TO-CENTER DISTANCE BETWEEN FEET (mm)	468			PROGRAMMABLE COOKING STEPS	/
ELECTRICAL FEATURES				PRE-HEATING TEMPERATURE	/
				PRE-HEATING FUNCTION	/
POWER SUPPLY (kW)	2,9			DOOR	TILT DOOR
FREQUENCY (Hz)	50 (60 ON DEMAND)				VENTILATED
VOLTAGE (Volt)	AC 220/230				INSPECTIONABLE GLASS
N° OF MOTORS	1 BIDIRECTIONAL			MODULARITY	AVAILABLE
RPM	2800			FEET	NOT ADJUSTABLE
				EQUIPMENT	
N° OF RESISTORS	CIRC.	1 pcs	2,7 kW	LATERAL SUPPORTS	1 RIGHT + 1 LEFT
	TOP+GRILL	/	/	ALUMINIUM TRAYS (429x345 mm)	4 pcs
	SOLE	/	/	CABLE	SINGLE-PHASE [3G 1,5] - L=1400 mm
BOILER	/			OPTIONAL	
LIMIT CONTROL	BIPOLAR WITH MANUAL RESET			AISI 430 ADAPTER KIT 2/3 GN (354x325 mm)	COD. KPG23
PROTECTION AGAINST WATER	IPX3			ALUMINIUM TRAY (429x345x9 mm)	COD. KV7
LIGHTING	NR. 1 INCANDESCENT LIGHT BULB (IN THE COOKING CHAMBER)			HORIZONTAL CHROMED GRID (435x340 mm)	COD. KG7
PLUS				AISI 304 HORIZONTAL CHROMED GRID (435x340 mm)	COD. KG7X
STAINLESS STEEL COOKING CHAMBER				PERFORATED ALUMINIUM TRAY (435x345x10 mm)	COD. KTF6P
DOOR WITH INSPECTIONABLE GLASS				TABLE	COD. EKT 423 - COD. EKTR 423 - COD. EKTS 423 - COD. EKTRS 423 - COD. EKT 423 D
EMBEDDED GASKET				PROOFER	COD. EKL 823
STACKABLE				WATER TANK LT. 7	COD. EKSA
FORCED COOLING SYSTEM OF INNER PARTS				PUMP KIT WITH HOSE AND FILTER	COD. KKPU
IPX 3				AIR REDUCER	COD. EKRPA
NEW DESIGN OF COOKING CHAMBER				OPTIONAL PACKAGING	COD. 01300731 CAGE COD. 01300280 PALLET (800x1200x118 mm)
NEW DESIGN OF HANDLE					
CB CERTIFICATION					

LEGEND

STEAM



A pipe sprays the water directly on moving fans.
It's ideal for roast meat, fish and steamed vegetables.