



PROFESSIONAL  
THINKING

# PRODUCT SHEET EKF 423

TECNOEKA SRL - VIA MARCO POLO, 11 - 35010 BORGORICCO - PADOVA - ITALY - TEL. +39 049 5791479 +39 049 9300344 - FAX +39 049 5794387 - E-MAIL: INFO@TECNOEKA.COM - WWW.TECNOEKA.COM - WWW.TECNOEKA.RU

## EKF 423 - ELECTRIC CONVECTION OVEN 4 TRAYS (429x345 mm)

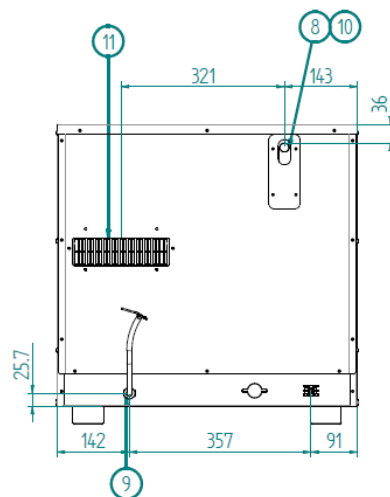
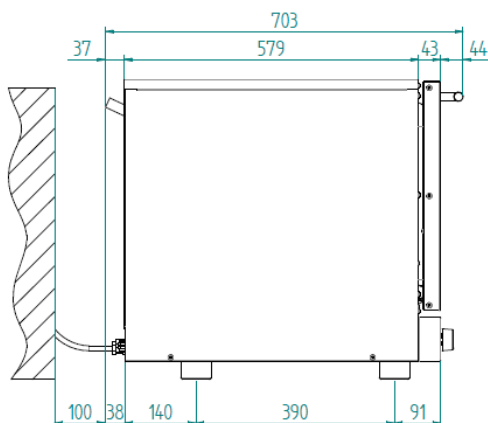
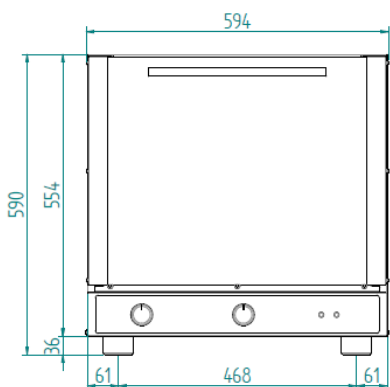
EKA EVOLUTION LINE

BAKING



Small in size and big on performance: the EKF 423 electromechanical oven is the ideal tool for small bakeries and pastry shops where space is limited.

You can use it to bake your cakes and Danish pastries, as well as reheat and revive the fragrance of frozen bread with optimum baking results and extremely low energy consumption.



LEGEND

1	USB PORT	11	DON'T CLOG UP VENTILATION OPENINGS
2	SERIAL PORT	12	WATER INLET MAX. 200 kPa
3	PLUG FOR CORE PROBE	13	SOFTENED WATER INLET MAX 200 kPa
4	WATER OUTLET TUBE	14	BOILER CLEANING INLET
5	WASHING WATER INLET	15	DON'T OPEN CAP WHILE WORKING
6	SOFTENED WATER INLET	16	GAZ INLET THREADED JOINT 3/4"
7	WATER INLET	17	POWER SUPPLY TO TOP OVEN
8	STEAM OUTLET	18	PRE-CARVED HOLE FOR BOTTOM OVEN POWER SUPPLY
9	ELECTRIC CABLE FIXER	19	STEAM SUCTION PIPE
10	CAUTION! HOT SURFACE		





**PROFESSIONAL  
THINKING**

# PRODUCT SHEET EKF 423

TECNOEKA SRL - VIA MARCO POLO, 11 - 35010 BORGORICCO - PADOVA - ITALY - TEL. +39 049 5791479 +39 049 9300344 - FAX +39 049 5794387 - E-MAIL: INFO@TECNOEKA.COM - WWW.TECNOEKA.COM - WWW.TECNOEKA.RU

DIMENSIONAL FEATURES				FUNCTIONAL FEATURES	
<b>DIMENSIONS</b>	<b>W</b>	<b>D</b>	<b>H</b>	<b>POWER</b>	<b>ELECTRICITY</b>
OVEN DIMENSIONS (mm)	590	695	590	CAPACITY	N° 4 TRAYS/GRIDS (429x345 mm)
CARDBOARD BOX DIMENSIONS WITH PALLET (WxDxH mm)	680	760	600	TYPE OF COOKING	VENTILATED
OVEN DIMENSIONS (inches)	23,22	27,36	23,22	HUMIDIFICATION	/
CARDBOARD BOX DIMENSIONS WITH PALLET (inches)	26,77	29,92	23,62	COOKING CHAMBER	AISI 430 STAINLESS STEEL
OVEN WEIGHT (kg)	34			WATER OUTLET	/
PACKED OVEN WEIGHT (kg)	38,8			STEAM OUTLET	/
OVEN WEIGHT (lbs)	74,95			TEMPERATURE	50 + 300°C
PACKED OVEN WEIGHT (lbs)	85,53			TEMPERATURE CONTROL	THERMOSTAT
DISTANCE BETWEEN RACK RAILS (mm)	74			CONTROL PANEL	ELECTROMECHANIC – LOWER SIDE
FAN DIMENSION (mm)	Ø 150 - NR. 6 BLADES			N° OF PROGRAMS	/
CENTER-TO-CENTER DISTANCE BETWEEN FEET (mm)	468			PROGRAMMABLE COOKING STEPS	/
				PRE-HEATING TEMPERATURE	/
				PRE-HEATING FUNCTION	/
<b>ELECTRONIC FEATURES</b>					
POWER SUPPLY (kW)	2,8			DOOR	TILT DOOR
FREQUENCY (Hz)	50/60				VENTILATED
VOLTAGE (Volt)	AC 220/230				INSPECTIONABLE GLASS
N° OF MOTORS	1 UNIDIRECTIONAL			MODULARITY	AVAILABLE
RPM	2250			FEET	NOT ADJUSTABLE
				<b>EQUIPMENT</b>	
N° OF RESISTORS	CIRC.	1 pcs	2,7 kW	LATERAL SUPPORTS	1RIGHT + 1LEFT
	TOP+GRILL	/	/	ALUMINIUM TRAYS (429x345 mm)	4 pcs
	SOLE	/	/	CABLE	SINGLE-PHASE [3G 1,5] - L=1350 mm
BOILER	/				
LIMIT CONTROL	BIPOLAR WITH MANUAL RESET			<b>OPTIONAL</b>	
PROTECTION AGAINST WATER	IPX3			AISI 430 ADAPTER KIT 2/3 GN (354x325 mm)	COD. KPG23
LIGHTING	NR.1 INCANDESCENT LIGHT BULB (IN THE COOKING CHAMBER)			ALUMINIUM TRAY (429x345x9 mm)	COD. KV7
<b>PLUS</b>				HORIZONTAL CHROMED GRID (435x340 mm)	COD.KG7
STAINLESS STEEL COOKING CHAMBER				AISI 304 HORIZONTAL CHROMED GRID (435x340 mm)	COD. KG7X
DOOR WITH INSPECTIONABLE GLASS				TABLE	COD. EKT 423 – COD. EKTR 423 – COD. EKTS 423 – COD. EKTRS 423 – COD. EKT 423 D
EMBEDDED GASKET				PROOFER	COD. EKL 823
STACKABLE				OPTIONAL PACKAGING	COD. 01300731 CAGE COD. 01300280 PALLET (800x1200x118 mm)
FORCED COOLING SYSTEM OF INNER PARTS					
IPX 3					
NEW DESIGN OF COOKING CHAMBER					
CB CERTIFICATION					
NEW DESIGN OF HANDLE					

