



PROFESSIONAL
THINKING

PRODUCT SHEET EKF 443 D UD

TECNOEKA SRL - VIA MARCO POLO, 11 - 35010 BORGORICCO - PADOVA - ITALY - TEL. +39 049 5791479 +39 049 9300344 - FAX +39 049 5794387 - E-MAIL: INFO@TECNOEKA.COM - WWW.TECNOEKA.COM - WWW.TECNOEKA.RU

EKF 443 D UD – DIGITAL ELECTRIC CONVECTION OVEN WITH STEAM 4 TRAYS/GRIDS (480x340 mm)

EKA EVOLUTION LINE

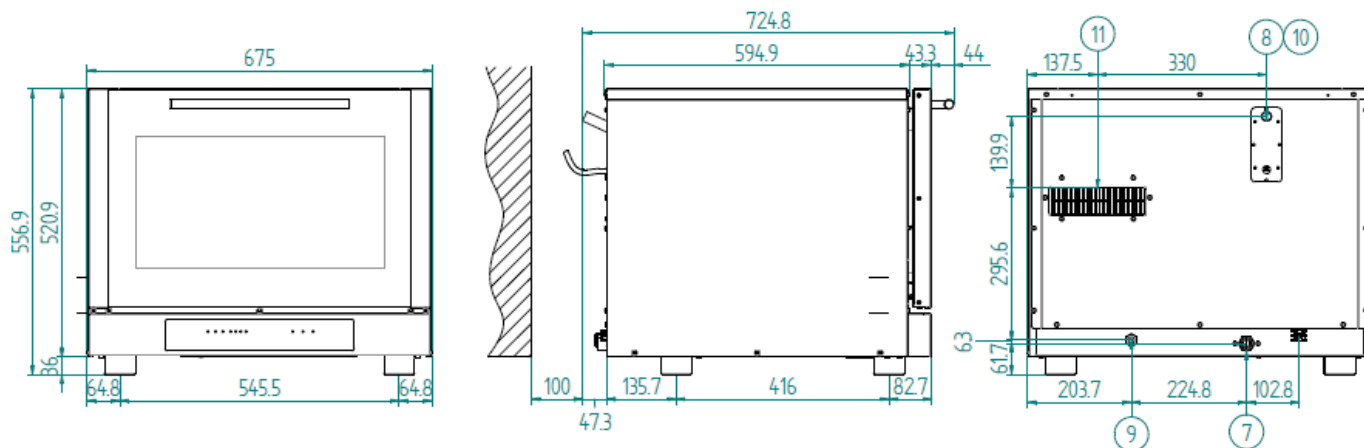
BAKING



A versatile, functional, hi-tech oven that finds application in a whole host of different settings: from bars to pastry shops, from bakeries to sweet snack takeaways, there is no outlet where EKF 443 D UD doesn't feel right at home.

Do not let its small size fool you: this is an effective tool for baking or reviving Danish pastries, doughnuts, muffins and cupcakes. Digital controls, direct steam and a stainless steel chamber allow this oven to meet the requirements of even the most demanding bakery.

The (480x340 mm) trays are also perfect for preparing demi-baguettes (46 cm).



LEGEND

1	USB PORT	11	DON'T CLOG UP VENTILATION OPENINGS
2	SERIAL PORT	12	WATER INLET MAX. 200 kPa
3	PLUG FOR CORE PROBE	13	SOFTENED WATER INLET MAX 200 kPa
4	WATER OUTLET TUBE	14	BOILER CLEANING INLET
5	WASHING WATER INLET	15	DON'T OPEN CAP WHILE WORKING
6	SOFTENED WATER INLET	16	GAS INLET THREADED JOINT 3/4"
7	WATER INLET	17	POWER SUPPLY TO TOP OVEN
8	STEAM OUTLET	18	PRE-CARVED HOLE FOR BOTTOM OVEN POWER SUPPLY
9	ELECTRIC CABLE FIXER	19	STEAM SUCTION PIPE
10	CAUTION! HOT SURFACE		





**PROFESSIONAL
THINKING**

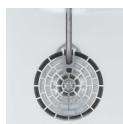
PRODUCT SHEET EKF 443 D UD

TECNOEKA SRL - VIA MARCO POLO, 11 - 35010 BORGORICCO - PADOVA - ITALY - TEL. +39 049 5791479 +39 049 9300344 - FAX +39 049 5794387 - E-MAIL: INFO@TECNOEKA.COM - WWW.TECNOEKA.COM - WWW.TECNOEKA.RU

DIMENSIONAL FEATURES				FUNCTIONAL FEATURES	
DIMENSIONS	W	D	H	POWER	ELECTRICITY
OVEN DIMENSIONS (mm)	675	725	560	CAPACITY	N° 4 TRAYS/GRIDS (480x340 mm)
CARDBOARD BOX DIMENSIONS WITH PALLET (WxDxH mm)	735	730	600	TYPE OF COOKING	VENTILATED
OVEN DIMENSIONS (inches)	26,57	28,54	22,04	STEAM (see legend)	DIRECT STEAM CONTROLLED BY DIGITAL PANEL (10 LEVELS)
CARDBOARD BOX DIMENSIONS WITH PALLET (inches)	28,93	28,74	23,62	COOKING CHAMBER	AISI 304 STAINLESS STEEL
OVEN WEIGHT (kg)	38			WATER OUTLET	/
PACKED OVEN WEIGHT (kg)	42,8			STEAM OUTLET	DIRECT
OVEN WEIGHT (lbs)	83,77			TEMPERATURE	50 ÷ 270°C
PACKED OVEN WEIGHT (lbs)	94,35			TEMPERATURE CONTROL	DIGITAL PROBE THERMOMETER
DISTANCE BETWEEN RACK RAILS (mm)	75			CONTROL PANEL	DIGITAL – LOWER SIDE
FAN DIMENSION (mm)	Ø 160 - NR. 30 BLADES			N° OF PROGRAMS	99
CENTER-TO-CENTER DISTANCE BETWEEN FEET (mm)	546			PROGRAMMABLE COOKING STEPS	4
				PRE-HEATING TEMPERATURE	180°C
ELECTRICAL FEATURES				PRE-HEATING FUNCTION	AVAILABLE ONLY IN "PROGRAM MODE"
				DOOR	TILT DOOR
POWER SUPPLY (kW)	3,2				VENTILATED
FREQUENCY (Hz)	50/60				INSPECTIONABLE GLASS
VOLTAGE (Volt)	AC 220/230 2N			MODULARITY	AVAILABLE
N° OF MOTORS	1 BIDIRECTIONAL			RUBBER FEET	NOT ADJUSTABLE
RPM	2800			EQUIPMENT	
N° OF RESISTORS	CIRC.	1 pcs	3 kW	LATERAL SUPPORTS	1 RIGHT + 1 LEFT
	TOP+GRILL	/	/	CABLE	SINGLE-PHASE [3G 1,5] - L=1350 mm
	SOLE	/	/		
BOILER	/			OPTIONAL	
LIMIT CONTROL	BIPOLAR WITH MANUAL RESET			310 ALUMINIUM TRAY (480x340 mm)	COD. KV8
PROTECTION AGAINST WATER	IPX3			4 LANES AISI 304 GRID (480x340 mm)	COD. KG4CPX
LIGHTING	NR.1 INCANDESCENT LIGHT BULB (IN THE COOKING CHAMBER)			PLANE CHROMED GRID (480x340 mm)	COD. KG8
PLUS				TABLE	COD. EKT 423 – COD. EKTR 423 – COD. EKS 423 – COD. EKTRS 423 – COD. EKT 423 D
STAINLESS STEEL COOKING CHAMBER				PROOFER	COD. EKL 864 – COD. EKL 864 R
DOOR WITH INSPECTIONABLE GLASS				WATER TANK LT. 7	COD. EKSA
EMBEDDED GASKET				PUMP KIT WITH HOSE AND FILTER	COD. KKPU
STACKABLE				OPTIONAL PACKAGING	COD. 01300280 PALLET (800x1200x118 mm)
FORCED COOLING SYSTEM OF INNER PARTS					
IPX 3					
NEW DESIGN OF COOKING CHAMBER					
CB CERTIFICATION					
NEW DESIGN OF HANDLE					

LEGEND

STEAM



A pipe sprays the water directly on moving fans.
It's ideal for roast meat, fish and steamed vegetables.

