



**PROFESSIONAL  
THINKING**

## PRODUCT SHEET EKF 523 UD

TECNOEKA SRL - VIA MARCO POLO, 11 - 35010 BORGORICCO - PADOVA - ITALY - TEL. +39 049 5791479 +39 049 9300344 - FAX +39 049 5794387 - E-MAIL: INFO@TECNOEKA.COM - WWW.TECNOEKA.COM - WWW.TECNOEKA.RU

### EKF 523 UD - ELECTRIC CONVECTION OVEN WITH STEAM 5 TRAYS/GRIDS 2/3 GN (354x325 mm)

EKA EVOLUTION LINE

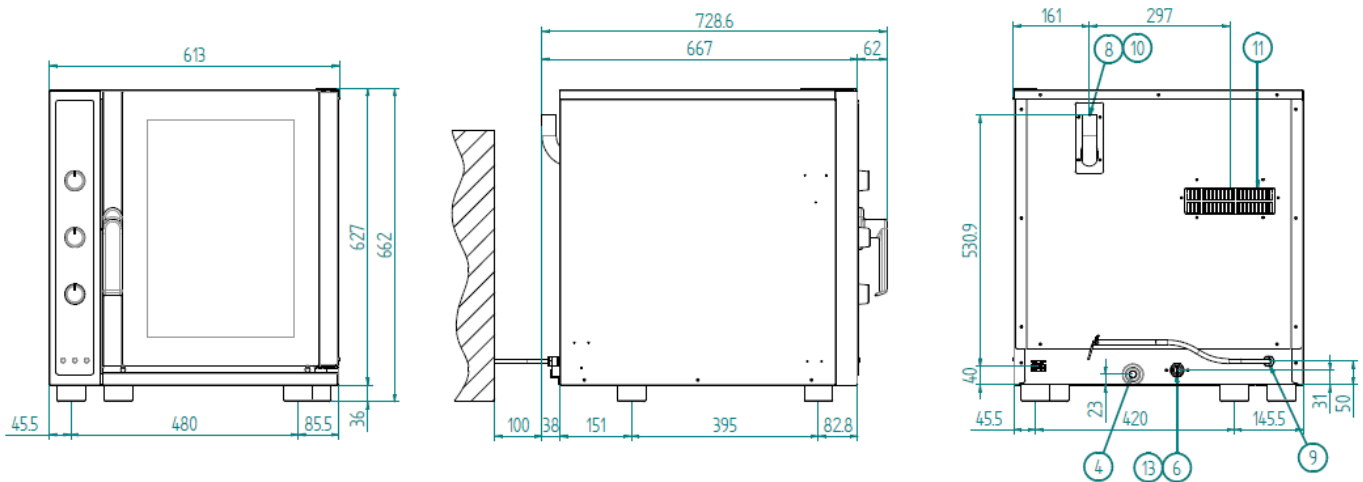
BAKING



Compact design and enviable performance.

Bread, pizzas, puff pastry, sponges, biscuits, cream puffs, yeast-raised products and fine pastries: guaranteed results and superior flexibility, thanks in part to the direct steam option.

The ideal ally for medium-sized bakeries and pastry businesses who need to be able to adjust baking to suit different requirements.



LEGEND

1	USB PORT	11	DON'T CLOG UP VENTILATION OPENINGS
2	SERIAL PORT	12	WATER INLET MAX. 200 kPa
3	PLUG FOR CORE PROBE	13	SOFTENED WATER INLET MAX 200 kPa
4	WATER OUTLET TUBE	14	BOILER CLEANING INLET
5	WASHING WATER INLET	15	DON'T OPEN CAP WHILE WORKING
6	SOFTENED WATER INLET	16	GAS INLET THREADED JOINT 3/4"
7	WATER INLET	17	POWER SUPPLY TO TOP OVEN
8	STEAM OUTLET	18	PRE-CARVED HOLE FOR BOTTOM OVEN POWER SUPPLY
9	ELECTRIC CABLE FIXER	19	STEAM SUCTION PIPE
10	CAUTION! HOT SURFACE		





**PROFESSIONAL  
THINKING**

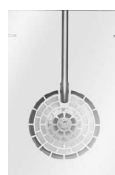
# PRODUCT SHEET EKF 523 UD

TECNOEKA SRL - VIA MARCO POLO, 11 - 35010 BORGORICCO - PADOVA - ITALY - TEL. +39 049 5791479 +39 049 9300344 - FAX +39 049 5794387 - E-MAIL: INFO@TECNOEKA.COM - WWW.TECNOEKA.COM - WWW.TECNOEKA.RU

DIMENSIONAL FEATURES				FUNCTIONAL FEATURES	
DIMENSIONS	W	D	H	POWER	ELECTRICITY
OVEN DIMENSIONS (mm)	610	730	660	CAPACITY	N° 5 TRAYS/GRIDS 2/3 GN (354x325 mm)
CARDBOARD BOX DIMENSIONS WITH PALLET (mm)	660	800	810	TYPE OF COOKING	VENTILATED
OVEN DIMENSIONS (inches)	24,01	28,74	25,98	STEAM (see legend)	DIRECT STEAM CONTROLLED BY KNOB (5 LEVELS)
CARDBOARD BOX DIMENSIONS WITH PALLET (inches)	25,98	31,49	31,88	COOKING CHAMBER	AISI 304 STAINLESS STEEL
OVEN WEIGHT (kg)	43,4			WATER OUTLET	Ø 30 mm TUBE
PACKED OVEN WEIGHT (kg)	47,4			STEAM OUTLET	DIRECT
OVEN WEIGHT (lbs)	95,68			TEMPERATURE	50 + 275°C
PACKED OVEN WEIGHT (lbs)	104,49			TEMPERATURE CONTROL	THERMOSTAT
DISTANCE BETWEEN RACK RAILS (mm)	80			CONTROL PANEL	ELECTROMECHANIC – LOWER SIDE
FAN DIMENSION (mm)	Ø 200 - NR. 38 BLADES			N° OF PROGRAMS	/
CENTER-TO-CENTER DISTANCE BETWEEN FEET (mm)	480			PROGRAMMABLE COOKING STEPS	/
				PRE-HEATING TEMPERATURE	/
				PRE-HEATING FUNCTION	/
ELECTRICAL FEATURES					
POWER SUPPLY (kW)	3,2			DOOR	RIGHT SIDE OPENING
FREQUENCY (Hz)	50 (60 ON DEMAND)				VENTILATED
VOLTAGE (Volt)	AC 220/230				INSPECTIONABLE GLASS
N° OF MOTORS	1 BIDIRECTIONAL			MODULARITY	AVAILABLE
RPM	2800			FEET	NOT ADJUSTABLE
				EQUIPMENT	
N° OF RESISTORS	CIRC.	1 pcs	2,7 kW	LATERAL SUPPORTS	1RIGHT + 1LEFT
	TOP+GRILL	/	/	CABLE	SINGLE-PHASE [3G 1,5] - L=1300 mm
	SOLE	/	/	MANUAL WASHING SET UP	
BOILER	/			REMOVABLE DRIP BOX	
LIMIT CONTROL	BIPOLAR WITH MANUAL RESET			OPTIONAL	
PROTECTION AGAINST WATER	IPX3			AISI 304 TRAY 2/3 GN (354x325x20 mm)	COD. KT6G
LIGHTING	NR.1 INCANDESCENT LIGHT BULB (IN THE COOKING CHAMBER)			AISI 304 HORIZONTAL GRID 2/3 GN	COD. KG6X
				PLUS	
STAINLESS STEEL COOKING CHAMBER	FORCED COOLING SYSTEM OF INNER PARTS			TABLE	COD. EKT 423 – COD. EKTR 423 – COD. EKTS 423 – COD. EKTRS 423 – COD. EKT 423 D
DOOR WITH INSPECTIONABLE GLASS	IPX 3			AIR REDUCER	COD. EKRPA
QUICK FASTENING OF LATERAL SUPPORTS	MANUAL WASHING SET UP			WATER TANK LT. 7	COD. EKSA
EMBEDDED GASKET	NEW DESIGN OF COOKING CHAMBER			PUMP KIT WITH HOSE AND FILTER	COD. KKPU
STACKABLE	CB CERTIFICATION			SPRAY KIT WITH SUPPORT	COD. EKKD

## LEGEND

### STEAM



A pipe sprays the water directly on moving fans.  
It's ideal for roast meat, fish and steamed vegetables.

